



Apple PC 5.25 Drive





Specifications

Apple PC 5.25 Drive





Performance

Average Seek Time 19 ms

Transfer Rate 250 Kbits/sec.

Rotational Speed 300 rpm

Average Startup Time 500 ms





Capacity

Formatted Capacity 360 Kbit per disk

Recording Surfaces 2

Tracks Per Surface 40

Tracks Per Inch 48





Environmental

Operating Temperature	50-104°F (10-40°C)
Relative Humidity	20-80% noncondensing
Maximum Altitude	10,000 ft. (3,048 m)





Electrical

Power Requirements

12 VDC \pm 10%

Maximum: 0.6 A/Peak 0.9 A

Typical: 0.36 A

5 VDC \pm 5%

Maximum: 0.65 A

Typical: 0.5 A





Physical

Dimensions

Height: 2.9 in. (7.2 cm)

Width: 6.37 in. (16.2 cm)

Depth: 8.3 in. (20.7 cm)

Weight

4.78 lb. (2.17 kg)



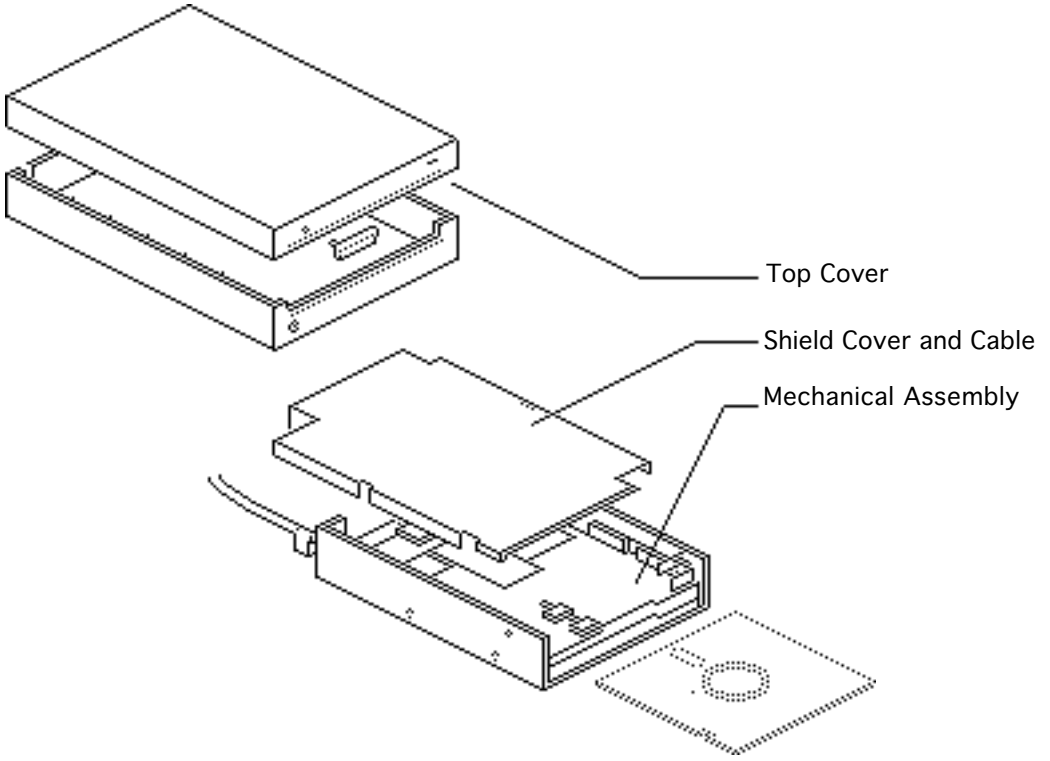


Exploded View
Apple PC 5.25 Drive





Exploded View





Take Apart
Apple PC 5.25 Drive

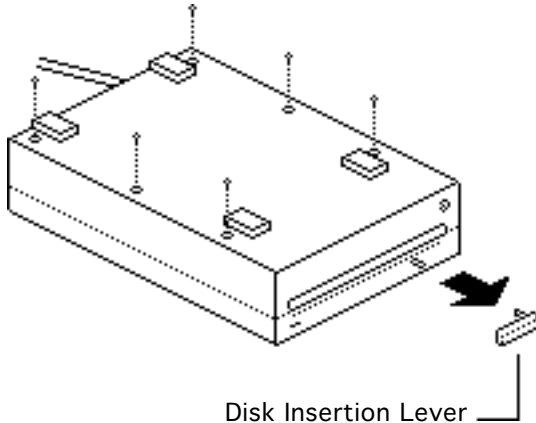


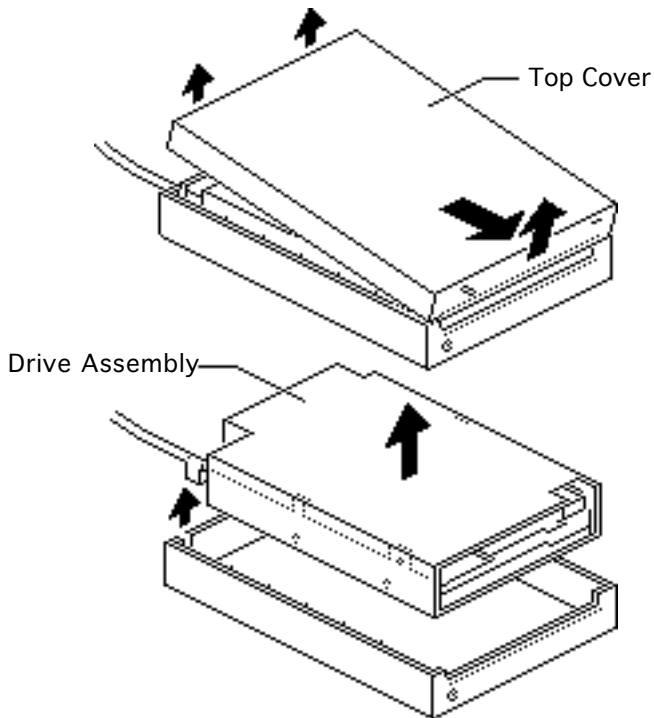


Top Cover

No preliminary steps are required before you begin this procedure.

- 1 Turn the drive upside down. Pry the disk insertion lever off the drive.
- 2 Remove the six screws. Hold the case together and turn the drive over.





- 3 Hold the bottom case and lift the back of the top cover. Pull the cover forward and up until the interior parts of the drive are clear.
- 4 Slip the cable free and remove the drive assembly.

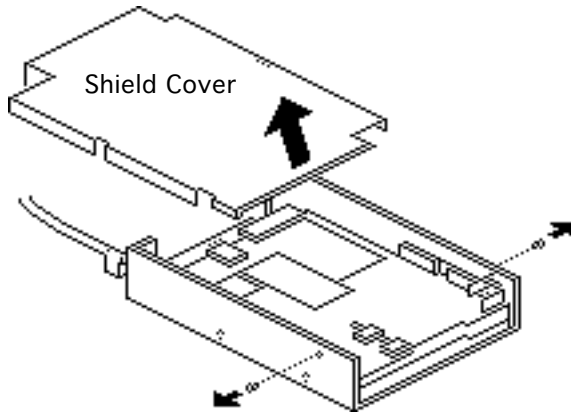




Shield Cover and Cable

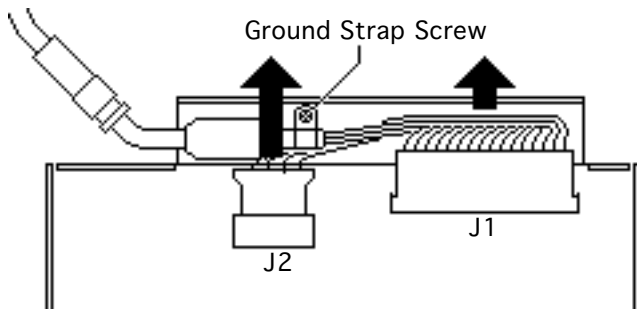
Before you begin, remove the top cover.

- 1 Remove the two screws that hold the shield cover. From the front of the drive, lift the shield up and back. Set the shield aside.





- 2 Remove the screw that secures the cable ground strap to the shield case.
- 3 Disconnect the cable bus connector from J1 and the power cable from J2.





Mechanical Assembly

Before you begin, remove the following:

- Top cover
- Shield cover and cable

Remove the four screws and lift the mechanical assembly from the shield case.

